



SM-120

Scale Printer

A New Vision of Scale Printer

Cloud services provided
Cassette type for both liner and linerless label
New mechanical structure for easy maintenance



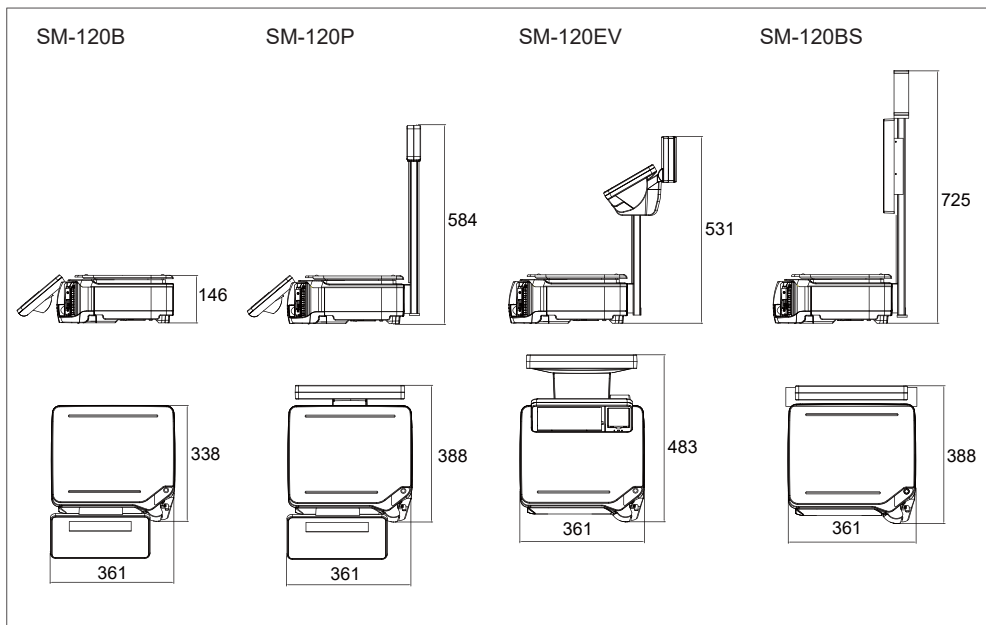
SM-120B



SM-120P

*Searching for
a New Balance*

External Dimensions(mm)



Cassette



Basic Specifications

Model	SM-120B	SM-120P	SM-120EV	SM-120BS
Capacity	3kg,6kg/6lb,12kg/12lb,15kg/15lb,30kg/30lb			
Display	202 x 32 pixels FSTN type LCD with white back-light Tare Weight: 4 digits. Weight: 5 digits. Unit Price: 6 digits. Total Price: 7 digits. Second Line display: 25 characters.			
Memory	2MB(Standard) 32GB(Max)			
Power Source	AC 176V ~ 264V, 47~63Hz.			
Operating Temperature	-10°C ~ +40 °C			
Operating Humidity	15% ~ 85% RH.			
Power Consumption	0.15A.			
Number of Preset Keys	32	56	56	72
Printer	Thermal printer Max. Printing Width: 60mm. Paper Width: 62mm (receipt) / 60mm (label). Printing speed: Maximum 110 mm / sec. Life span: 100 million pulses, 100km or more.			
Interface	AC receptacle. Cash drawer control port (drive voltage is 24V). 1 x RS-232C interface. Ethernet.			

*Specifications are subject to change without prior notice.

Factory Option

All SM-120 scale models are also available as **linerless with auto-cutter - DIGI world's first innovation**

- more labels per roll thanks to elimination of the backing paper
- reduced label usage - label length is self-adjusted based on each product information - no more blank spaces
- more attractive label edges thanks to auto-cutting feature
- reduced storage and inventory costs - one label for all products - self-adjusted label length
- reduced waste by elimination of backing paper

สนใจสินค้าติดต่อได้ที่

QUADEL
Solution Printing

บริษัท ควอดเอล โซลูชัน พรินต์ติ้ง จำกัด
QUADEL SOLUTION PRINTING CO.,LTD
2/2 หมู่ 9 ซ.อุสมราชชนนี38 แขวงตลิ่งชัน กรุงเทพฯ 10170
2/2 Moo.9 Soi.Borommaratchachonnani 38, Borommaratchachonnani Road,
Taling chan District, Bangkok 10170

☎ 063-373-4005

☎ 063-373-4006

☎ 063-373-3466



FACEBOOK: QUADEL



YOUTUBE: QUADEL SOLUTION PRINTING